

Newsletter

NL- Stertil BV-03-2016

stertil **KONI**

new

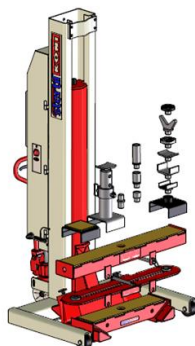
Dear Partner,

**Subject: The Latest New Stertil-Koni Product Developments
for
Quality, Function & Design**

1. In-Grounds:  **DIAMOND LIFT New Upgraded Capacity**

2. Platform Lifts:  **SKYLIFT New Stertil Guard Anti-Skid Coating**

3. Mobile Column Lifts:



New Multi-Purpose Fork Adapters

Please note, for all new product developments, prices and product brochure changes where applicable will be available soon.



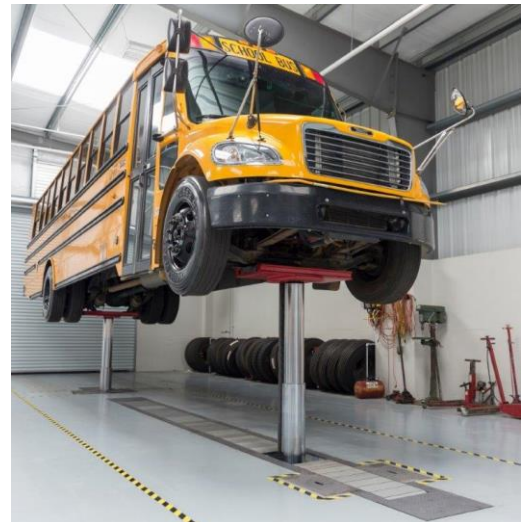


The DIAMONDLIFT, Even MORE Heavy Duty with New Upgraded Capacity

Our in-ground piston lift, the **DIAMONDLIFT**, is now also available with 16,000 kg / 35,000 lbs per piston.

It goes without saying, that both lifts meet with the **ANSI/ALI ALCTV Standard**, including the required third party validation.

The new **DIAMOND70** (2-Piston version) and **DIAMOND105** (3-Piston version) have the same overall dimensions and appearance as the **DIAMOND64** and **DIAMOND96**. The adapters have also been upgraded to suit the new capacities.



DIAMOND70 – 16,000 kg / 35,000 lbs

The **DIAMOND64** and **DIAMOND96** lifts are still available.



Heavy Duty Platform SKYLIFT Made even SAFER with Stertil Guard Anti-Skid Coating

The new **Stertil Guard Anti-Skid Coating** will be optionally available on all **SKYLIFTS** manufactured as from 1st October 2016.

Stertil-Koni has already offered for several years, an anti-skid solution on the runway platforms in the form of the **ALU DIAMOND PLATES**.



The New Stertil Guard Anti-Skid Coating

Based on feedback from the market we offer an additional anti-skid runway coating option, so that customers can choose what best suits their workshop situation.

The new factory-applied **Stertil Guard Anti-Skid 3-component tough epoxy topcoat** is abrasion resistant which means that the platform runways will stay in better condition longer. The high solid components combined with fused Aluminium Oxide mean that the coating is very resistant to wear and tear.

The surface profile is rough giving exceptional non-slip properties. It can be used in almost any circumstances and either inside or out.; from extremely hot to sub-zero temperatures and regardless of the working climate, be it very wet or extremely dry. The **Stertil Guard Anti-Skid Coating** is very durable and has a **long life expectancy**. It is available in a wide range of colours except for the washbay versions, which are only available in grey.



Newsletter

NL- Stertil BV-03-2016



Front & Rear Lifting with the New Multi-Purpose Fork Adapters for Stertil-Koni Mobile Column Lifts

A new series of a high capacity multi-purpose adapters are available as new accessories for our mobile column lifts. This makes the lifting of agricultural machinery and vehicles, military vehicles or light trucks and vans possible with **just two mobile columns**. Totally versatile due to the “*mix and match*” concept whereby the individual components can be combined to create the optimal adapter configuration for almost any situation.

We have already designed three standard configurations to help you on your way....

There is a two-piece fork adapter for the Stertil-Koni mobile column lifts ST1075 / ST 1085 / ST 1100 (part number 38000920) specifically designed for lifting various agricultural machinery and vehicles. Please also see the Stertil-Koni **Agricultural Vehicle Lifting** brochure for application examples. This adapter can be used with the Stertil-Koni mobile column lifts with a maximum lifting capacity of 11,000 kg / 22,000 lbs. The lower beam can also be used separately. A wider version for the Stertil-Koni ST1065 is also available (part number 38010920).

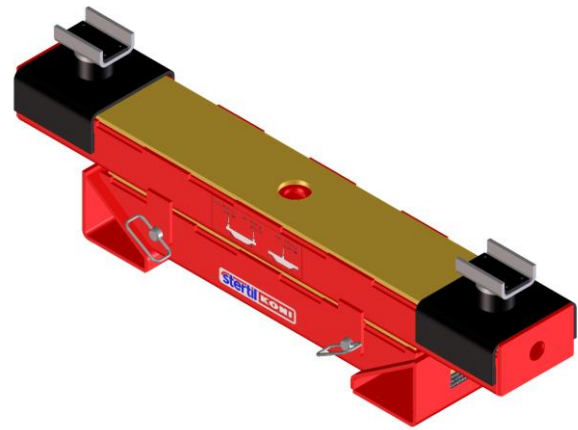


38000920 Agricultural Adapter for the Stertil-Koni ST1075 / ST 1085 / ST1100 for Fixed and Adjustable Forks



Newsletter

NL- Stertil BV-03-2016

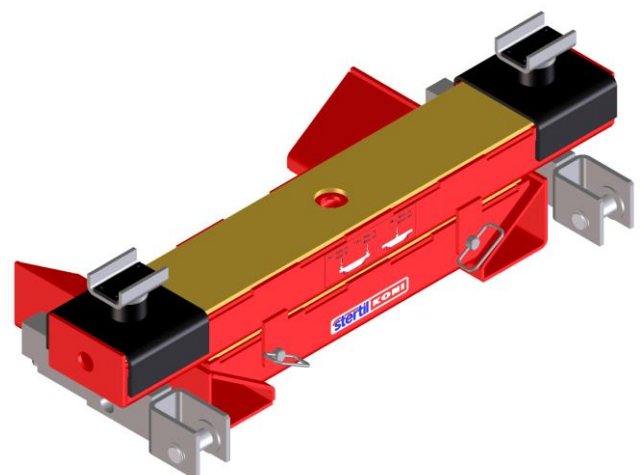


38000950 Special Vehicle Fork Adapter for the Stertil-Koni ST1075 / ST 1085 / ST 1100 Fixed and Adjustable Forks.

The flexible two-piece slidable pick-up points fork adapter allows for various optional height extensions and pads, (*part number 38000950*) for the ST1075 /ST 1085 / ST1100 mobile column lifts. Specifically designed for lifting a broad range of special vehicles for example military vehicles. The lower beam can be used separately. This adapter can be used with the Stertil-Koni mobile column lifts with a maximum lifting capacity of 11,000 kg / 22,000 lbs.

***N.B.** the 38000950 adapter replaces **the LT15 fore and aft lifting adapter** and the Humvee/Hummer adapter.

For even more reach, the special vehicle fork adapter is also available in a version with **extended fork sleeves** (*part number 38000990*). This version **requires** the use of base frame extensions (*part number 34400910*). This adapter can be used with Stertil-Koni mobile column lifts with a maximum lifting capacity (**including the base frame extensions**) of 6,600 kg / 14,500 lbs.

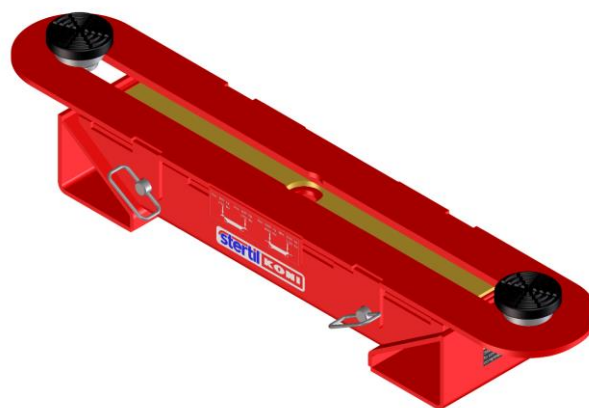


38000990 Special Vehicle Fork Adapter for the Stertil-Koni ST1075 / ST1085 / ST 1100 Fixed and Adjustable Forks, Extended Reach (500mm). **Excluding the base frame extensions.**



Newsletter

NL- Stertil BV-03-2016

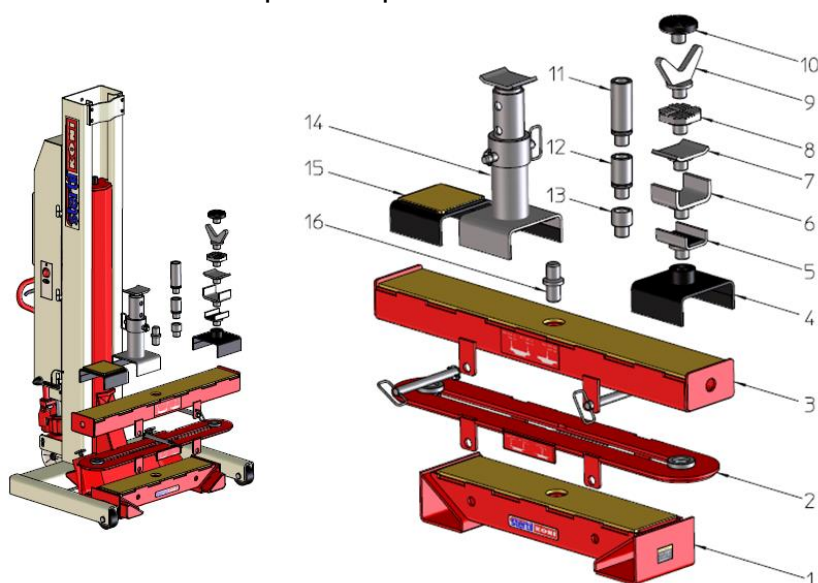


38000970 Light Truck Fork Adapter for the Stertil-Koni ST1075 / ST 1085 / ST 1100 Fixed and Adjustable Forks.

Specifically designed for lifting light vehicles, the two-piece slidable pick-up points allow for various optional height extensions and pads for the ST1075 / ST1085 / ST 1100 mobile column lifts for example for lifting, pick-up trucks, city vans or mini-buses. This adapter can be used with the Stertil-Koni mobile column lifts with a maximum lifting capacity of 2,500 kg / 5,500 lbs.

These three standard adapter configurations have been designed modularly and can be interchanged and combined with other accessories for example, height extension and pick-up adapters used for the Stertil-Koni heavy-duty 2-Post FREEDOMLIFTS.

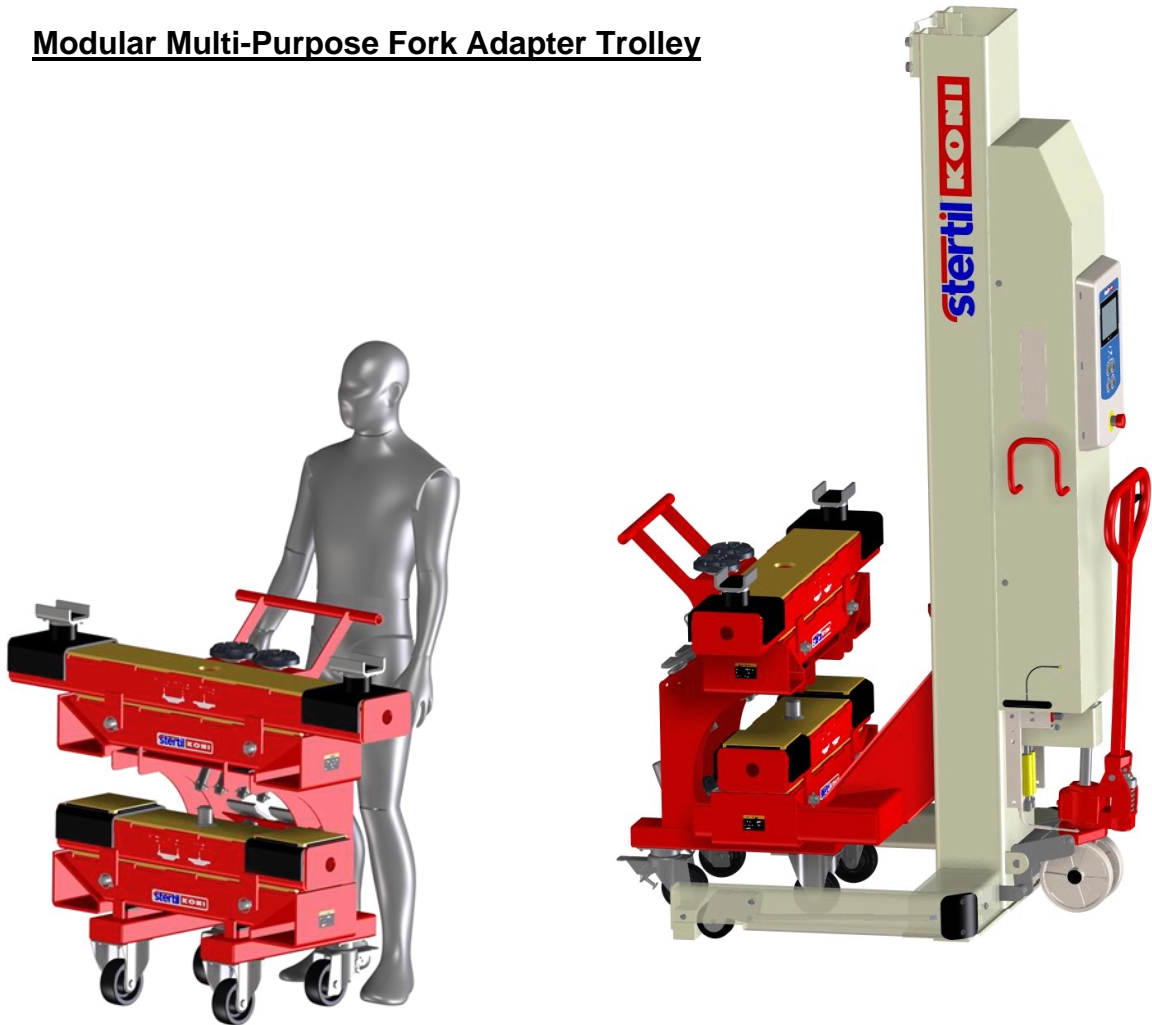
More details can be found in the special Operation Manual.



Modular Multi-Purpose Fork Adapters for the Stertil-Koni ST 1075 / ST 1085 / ST 1100 Fixed and Adjustable Forks.



Modular Multi-Purpose Fork Adapter Trolley



Ergonomic handling of the multi-purpose fork adapters has been made possible with the development of a specially designed trolley. The adapter trolley design makes it possible to pick-up the adapters by using the Stertil-Koni mobile column lifts. The adapter trolley (*part number 38010950*) can carry two complete pieces of any of the previously mentioned adapter combinations. It can also hold several optional pick-up pads and height extensions.

If you have any questions about the latest product developments mentioned in this Newsletter, please do not hesitate to contact your Stertil-Koni Sales Team.

Stertil-Koni brings you quality, function & design