

KOMI

sterfil



MOBILE COLUMN LIFT

ST 1075

The superior, flexible solution with a lifting capacity of 16,500 lbs.



STERFIL
SUPERIOR SOLUTIONS BY
QUALITY PEOPLE

Superior solutions by quality people



The Stertil group provides customized and technically advanced lifting solutions for heavy-duty customers worldwide, as well as the best possible after-sales service from factory trained local distributors. These superior solutions are conceived, developed and implemented by a team of industry experts with years of field experience. Stertil-Koni is a worldwide leader in the field of mobile column lifts as a result of its quality people, in house research/development and global focus.

Stertil-Koni ST 1075 mobile column lift

Looking for optimum flexibility and maximum productivity? Stertil-Koni's mobile lifting columns ingeniously combine both these features. The entire system can be set up with amazing ease and speed.

Wireless...

Our wireless mobile columns provide a superior lifting solution with

- 24 VDC system that requires no external power source to operate
- Minimal set up time, since no interconnecting cables are required
- Maximum access to the vehicle, with no risk of tripping

Thanks to the innovative ID key, multiple 8 column lifting sets can be operated simultaneously in one area without interference from other wireless lifting sets. In most cases, the deep cycle batteries only need to be recharged every two weeks.



The superior solution for flexible lifting of heavy duty vehicles



... or Wired, it's up to you

Utilizing building power, this lifting solution offers the possibility to connect up to 28 mobile columns into a single lifting set with interconnecting cables. This set size flexibility allows lifting of road vehicles as well as light and heavy rail applications.

Superior control with the Multi Master System

Both the wireless and the wired mobile lifting columns are equipped with a control box on each individual column. Columns can be operated individually, in pairs or as a

complete set with the touch of a button. All columns are interchangeable so they can be used at any location. The patented Multi Master System provides optimum flexibility.

Proven reliability and efficiency

Stertil-Koni mobile lifting columns are designed with the user in mind. Ease of operation, reliable technology and safety features are incorporated into the design. It is for these reasons that Stertil-Koni has the best selling mobile lifting column worldwide.



Well thought out in all aspects



Reliable hydraulic technology

The hydraulic lifting system operates efficiently and smoothly. Compared to mechanical lifting systems, the hydraulic lifting system is low maintenance.

The hydraulic cylinder is designed and installed in the mobile lifting column to protect the seals. Only the piston rod is exposed during lifting. Damage to the piston rod will not result in leakage.

In the case of a power failure, a Stertil Koni mobile lifting column has provisions to allow manual lowering.

Stertil Koni tests all our lifting systems thousands of times, under maximum capacity, before introducing them to the market to ensure a long lifecycle.

Unique synchronization

The unique Stertil Koni synchronization system starts at a height difference of just 9/16 of an inch. This synchronization system ensures safe and smooth lifting/lowering cycles, especially in cases where the vehicle weight distribution is extremely unequal.

Ample column to vehicle clearance

As an added safety feature, the Stertil Koni mobile lifting column is designed with ample clearance between the column and the vehicle. Even if there is a problem with the vehicle air suspension, the vehicle should not come into contact with the column.

Can safely lift super single tires

The standard length of the lifting fork is 14 inches. This accommodates proper lifting of vehicles with super single tires.

Easy to relocate

Stertil-Koni mobile lifting columns are indeed 'mobile'. Thanks to the synthetic wheels and a hydraulic pallet jack mechanism which incorporates a patented gas spring, the column is easy to relocate. What's more, the Stertil Koni mobile lifting column is equipped with true pallet jack overload protection.

Power supply

The Stertil Koni wireless mobile lifting columns operate on 24 VDC and are easily recharged by means of a 110 V wall socket. The Stertil Koni wired mobile lifting columns operate on three phase at 208, 230, 460, and 530 VAC, as well as single phase at 220 VAC

Fast lifting and lowering

The ST 1075 only takes 75 seconds to reach its maximum height of 73". This makes it one of the fastest mobile lifting columns in the world.

Reduced lowering speed

For greater control during lowering, the patented Stertil-Koni "Turtle" switch reduces lowering speed by 66%.

Lifetime guarantee

The synthetic runner wheel system is self-lubricating and therefore needs no maintenance. This runner wheel system comes with a lifetime parts guarantee.

Everything under control



Wireless Control

Superior Control

Choice of controls

For operating the ST 1075 mobile column lifts, Stertil-Koni offers a choice of three control systems:

- WIRELESS ST 1075-FWF
- SUPERIOR ST 1075-FSF
- CONVENTIONAL ST 1075-FCF

Stertil-Koni offers three control options: Wireless controls OR Superior controls OR Conventional controls.

The Wireless or Superior systems both operate on the Multi Master principle. These systems make it possible to operate any individual column, a pair of columns or all columns in a set. All functions are initiated with the push of a button. LED indicators inform the operator which

column is selected. The control panel for the Wireless system includes a LCD screen. Charge status of the batteries, the exact lifting height of the mobile lifting column and the number of lifting columns in the set are shown on this screen.

Superior systems can be provided with extra strong drive over interconnecting cables. All power and communication cables are equipped with strong and reliable industrial plugs. The wired Conventional system is the perfect economical solution for situations where no more than 4 mobile column lifts are required. Only the main post is equipped with a control unit.

Overview of ST 1075 types and controls

| | WIRELESS ST 1075-FWF | SUPERIOR ST 1075-FSF | CONVENTIONAL ST 1075-FCF |
|--|-------------------------|-------------------------|-----------------------------|
| Wireless control (VDC) on all columns with LCD, maximum set size 8 columns. | ● | | |
| LCD screen with important information about the system. | ● | | |
| Superior Control (VAC) on all columns with interconnecting cable, maximum set size 28 columns. | | ● | |
| Conventional Control (VAC) on all columns with 1 control box and interconnecting cables, maximum set size 4 columns. | | | ● |
| Patented "Turtle" system with normal or reduced lowering speeds. | ● | ● | |
| Hydraulic pallet jack mechanism with patented overload protection. | ● | ● | ● |
| Fixed fork, 14 inches long, suitable for super single tires. | ● | ● | ● |
| Fixed synthetic front wheels lower floor loads as compared to steel front wheels. | ● | ● | ● |
| Maximum number of columns in a set. | 8 | 28 | 4 |

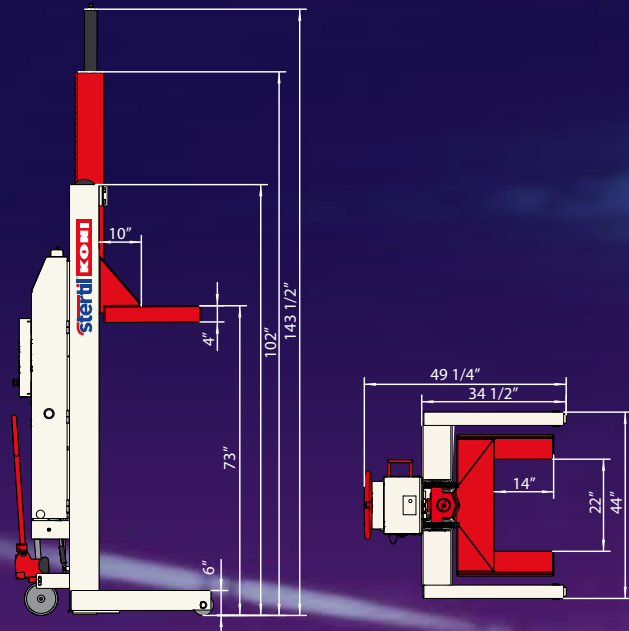
Technical specifications

- Lifting capacity: 16,500 lbs
- Lift system: hydraulic lifting system with microprocessor-controlled synchronization
- Lifting height: maximum 73 inches, automatic stop at the highest position
- Lifting time: 75 seconds
- Motor rating: 3 hp/4 hp per column (Superior/Wireless)
- Weight: 1,100/1,250 lbs column (Superior/Wireless)
- Column lift height: 102 inches

Highest safety requirements

- ANSI/ALI-ALCTV certified (USA)
- CSA certified (Canada)
- CE certified (Europe)
- Independent mechanical locking system engages at 18 inches above finished floor. Lock pawl engaged by gravity. The locking system is always active, even when the column is turned off
- Locking profile with locking increments of just 1 3/8 inches
- Synchronization between the mobile lifting columns starts at a height difference of 9/16 inch
- Each mobile lifting column is equipped with a safety valve that monitors the system for sudden pressure loss – i.e. caused by leakage - during the entire lifting process.
- Automatic overload protection
- Low voltage control panel
- Each system is equipped with a dead man's switches
- Each individual mobile lifting column is tested prior to leaving the factory.
- Splash-proof electrical system (NEMA4)

* Technical specifications are available at: www.stertil-koni.com



Accessories & options

Stertil-Koni offers an extensive package of accessories & options tailored to fit your specific needs. Optional products available include:

- LED lighting set
- Forklift adapter set
- Various cross beams for lifting trailers and other specialty applications
- Wheel adapters

Our in-house R&D department will be pleased to tailor a specialty lifting solutions to meet any customer demands.

More information?

For more information about the ST 1075, or any of Stertil-Koni's other top products, please do not hesitate to contact us. We will be pleased to assist you.



Stertil-Koni U.S.A. Inc.
200 Log Canoe Circle
Stevensville, Maryland 21666
Tel. 410-643-9001
Toll free 800-336-6637
Fax 410-643-8901
www.stertil-koni.com
E-mail: lifts@stertil-koni.com